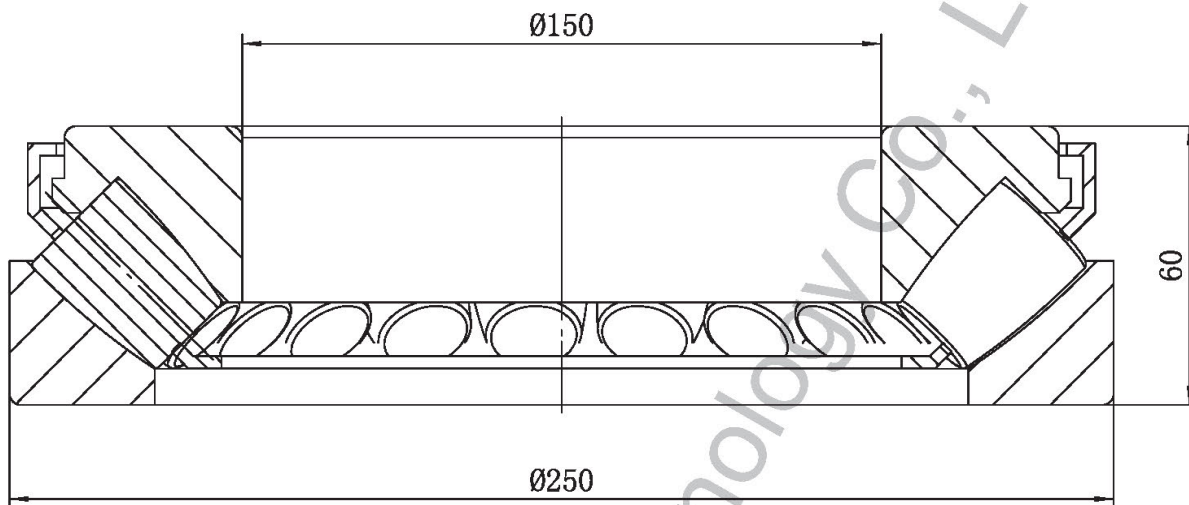


E 08367



1 rated load: Cr= 1000 KN ; Cor= 2850 KN ;

2 Heat treatment according to the current standards

Remark:

1. Luoyang JCB Bearing Technology Co., Ltd is a technical Inc, specialize in designing and manufacturing thrust bearing, we can design and manufactur all kinds of thrust bearing according to client's requirement.
2. This drawing is reference for user, if you need formal drawing, please contact wth us sales@jcb-bearing.com, the official drawing will be submitted after order confirmation.



07	cage		STEEL			
04	roller		steel GCr15-GB/T18254			
02	shaft washer		steel GCr15SiMn-GB/T18254			
01	house washer		steel GCr15SiMn-GB/T18254			Weight (kg)
serial	Name	Qty	Material			11.0
			Thrust spherical roller bearing	29330 E		
				Add: No.3 Lianmeng road, Luoyang, Henan, China. Postal: 471003 Phone: +86-379-68611678 Fax: +86-379-68611679 E-mail: sales@jcb-bearing.com		
				Website: <a href="http://www.jcb-bearing.com">www.jcb-bearing.com</a> <a href="http://www.sphericalrollerthrustbearing.com">www.sphericalrollerthrustbearing.com</a>		
				Luoyang JCB Bearing Technology Co., Ltd		